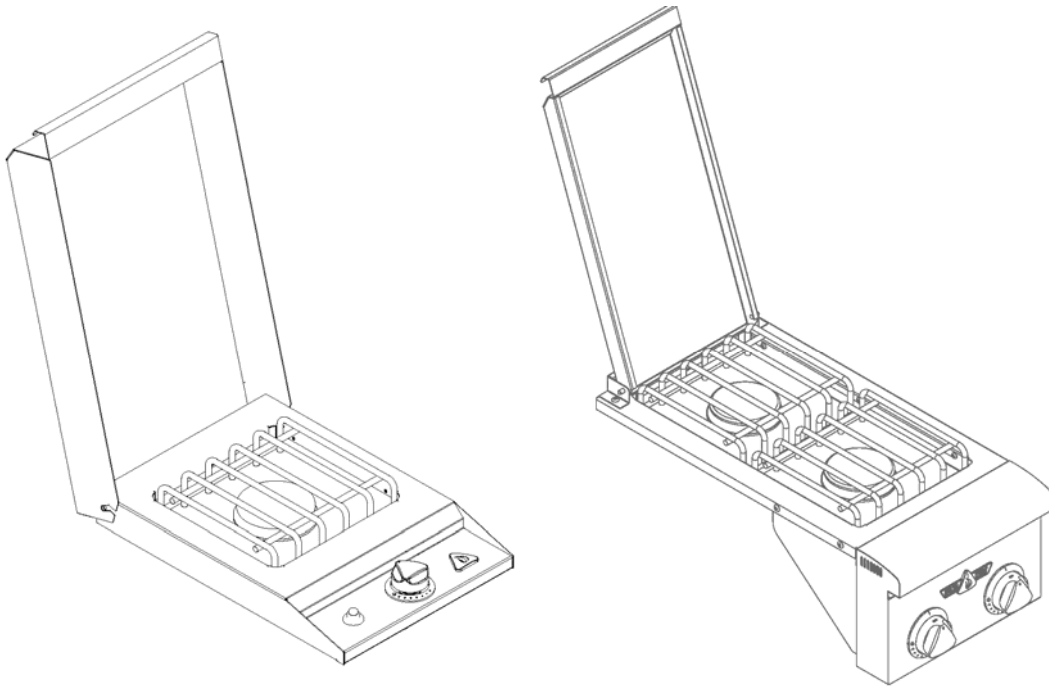




DELTA HEAT SIDE BURNER

USE & CARE MANUAL



MODEL: DHSB1D-B
DHSB2-B

IMPORTANT SAFETY INFORMATION

WARNING! Read this manual carefully and completely before using your grill to ensure proper operation, proper installation, proper servicing and to reduce the risk of fire, burn hazard and/ or other injury.

| | |
|--|---|
| <p style="text-align: center;">F O R Y O U R S A F E T Y</p> <p>If you smell gas:</p> <ol style="list-style-type: none"> 1. Shut off gas to the appliance. 2. Extinguish any open flames. 3. If odor continues, keep away from the appliance and immediately call your gas supplier or fire department. | <p style="text-align: center;">A V E R T I S S E M E N T</p> <p>S'il y a une odeur de gaz:</p> <ol style="list-style-type: none"> 1. Coupez l'admission de gaz de l'appareil. 2. Éteindre toute flamme nue. 3. Si l'odeur continue, évite l'appareil et appelle tout de suite votre fournisseur de gaz ou les pompiers. |
| <p style="text-align: center;">F O R Y O U R S A F E T Y</p> <ol style="list-style-type: none"> 1. Do not store or use gasoline or other flammable vapors and liquids in the vicinity of this or any other appliance. 2. An LP cylinder not connected for use shall not be stored in the vicinity of this or any other appliance. | <p style="text-align: center;">A V E R T I S S E M E N T</p> <ol style="list-style-type: none"> 1. Ne pas entreposer ni utiliser de l'essence ni d'autres vapeurs ou liquides inflammables dans le voisinage de l'appareil, ni de tout autre appareil. 2. Une bouteille de propane qui n'est pas raccordée en vue de son utilisation, ne doit pas être entreposée dans le voisinage de cet appareil ou de tout autre appareil. |
| <p style="text-align: center;">THIS IS FOR OUTDOOR USE ONLY: If stored indoors, detach and leave L.P. cylinder outdoors.</p> | <p style="text-align: center;">C'EST POUR UTILISATION à L'ExTÉRIEUR SEULEMENT: Si l'appareil est entreposé à l'intérieur, enlever les bouteilles et les laisser à l'extérieur.</p> |
| <p style="text-align: center;">B E F O R E L I G H T I N G</p> <ol style="list-style-type: none"> 1. Read instructions before lighting. 2. Open lid during lighting. 3. If ignition does not occur in 5 seconds, turn the burner control(s) off, wait 5 minutes, and repeat the lighting procedure. | <p style="text-align: center;">A V A N T D ' A L L U M E R L ' A P P A R E I L</p> <ol style="list-style-type: none"> 1. Lisez les instructions avant d'allumer l'appareil. 2. Ouvrez le couvercle avant d'allumer l'appareil. 3. Si l'appareil ne s'allume pas en 5 secondes, fermez le robinet du brûleur, attendez 5 minutes, et procédez de nouveau à l'allumage. |

GENERAL SAFETY REQUIREMENTS

1. The installation of this appliance must conform with local codes or, in the absence of local codes, either the *National Fuel Gas Code, ANZI Z223.1/NFPA 54, or CAN/CGA-B149.1, Natural Gas Installation Code or CAN/CGA-B149.2, Propane Installation Code.*
2. This outdoor cooking gas appliance is not intended to be installed in or on recreational vehicles and /or boats.
3. This outdoor cooking gas appliance is intended for use outdoors and shall not be used in a building, garage or any other enclosed area.
4. **Minimum clearance of 12 inches from the back and sides of the unit to adjacent combustible construction must be maintained. This outdoor cooking gas appliance shall not be located under overhead-unprotected combustible construction.**
5. The utilization of an external electrical source requires that when installed, this outdoor cooking gas appliance must be electrically grounded in accordance with the local codes or, in the absence of local codes, with the National Electrical Code, ANSI/NFPA 70, or the Canadian Electrical Code, CSA C22.1. Keep any electrical supply cord, or the rotisserie motor cord and the fuel supply hose away from any heated surfaces.
6. Keep your side burner in an area clear and free from combustible materials, gasoline and other flammable vapors and liquids.
7. DO NOT obstruct the flow of combustion and ventilation air to this appliance. Keep the ventilation openings of the cylinder enclosure free and clear from debris.
8. Check all gas connections for leaks with soapy water solution and brush. Never use an open flame.
9. Check flexible hoses for cuts and wear that may affect the safety before each use.
10. Never use the side burner in a windy area.
11. The pressure regulator and hose assembly supplied with the Delta Heat Side Burner must be used. Replacement pressure regulators and hose assemblies must be those specified by Delta Heat.
12. CALIFORNIA PROPOSITION 65-WARNING: The burning of gas cooking fuel generates some by-products which are on the list of substances known by the State of California to cause cancer or reproductive harm. California law requires businesses to warn customers of potential exposure to such substances. To minimize exposure to these substances always operate this unit according to the use and care manual, ensuring you provide good ventilation when cooking with gas.

In Massachusetts: All gas products must be installed using a "Massachusetts" licensed plumber or gasfitter. A "T" handle type manual gas valve must be installed in the gas supply line to this appliance. This applies to permanently installed natural gas and propane installations. This does not apply to propane portable installations using a 20 pound tank.

FOR YOUR RECORDS

IMPORTANT: Retain original proof of purchase to establish warranty period.

Please record the following information and refer to this information when contacting the company or an authorized service agent. This information is found on the rating/ data plate located on the inside back of the unit.

Model #: _____

Serial #: _____

Date of Purchase: _____

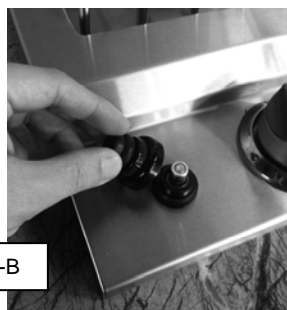
Place of Purchase: _____

Type of Gas: NG LP

OPERATING INSTRUCTIONS – SIDE BURNERS

1. Make sure all knobs are in the “OFF” position.
2. Turn “on” the gas at source. Caution: If you smell gas, shut off gas supply and call for service.
3. Before lighting, remove the side burner cover or any cooking utensils from the burner grate.
4. a.) For DHSB2-B, push-in, turn counterclockwise to “HI” (LARGE FLAME) position, and hold the burner knob in. You should hear a continuous clicking sound and see sparks being provided to the burner. (If clicking sound is weak, replace the 9V battery).
4. b.) For DHSB1D-B, push-in and turn the burner knob counterclockwise to a “HI” (LARGE FLAME) position. Push and hold the ignition button. You should hear a continuous clicking sound and see sparks being provided to the burner. (If clicking sound is weak, replace the AAA battery).
5. If the burner does not ignite within 5 seconds, turn the burner to “OFF” and wait for five minutes. Repeat the above procedures or try the following manual lighting procedures
 - a. Hold a lit match next to the burner ports
 - b. Push and turn the burner knob counterclockwise to ignite the burner.
6. Adjust flame setting to “LOW” or “MEDIUM” or “HIGH”, if desired.
- 7. Caution: Do not leave the side burner unattended while cooking.**
8. To shutdown the burner, push and turn the burner knob clockwise to “OFF”.
9. For complete shutdown, turn “off” the gas at source.

Battery Locations

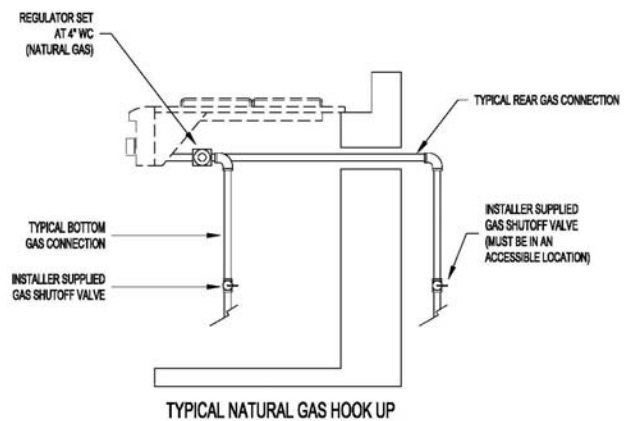
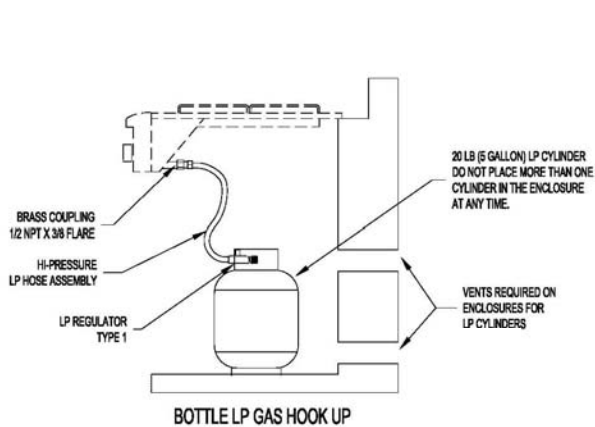
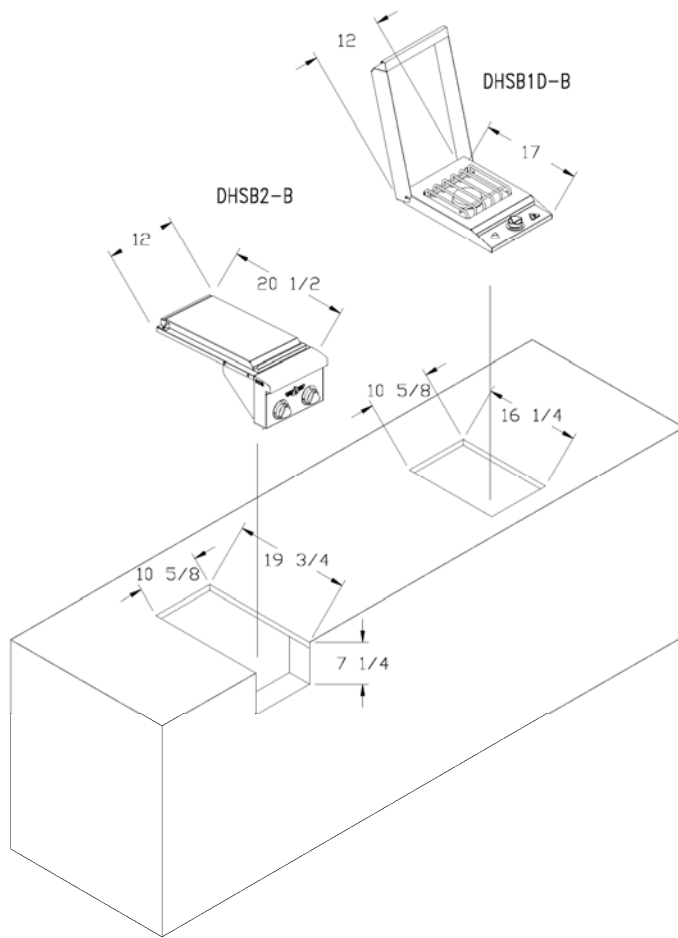


DHSB1D-B

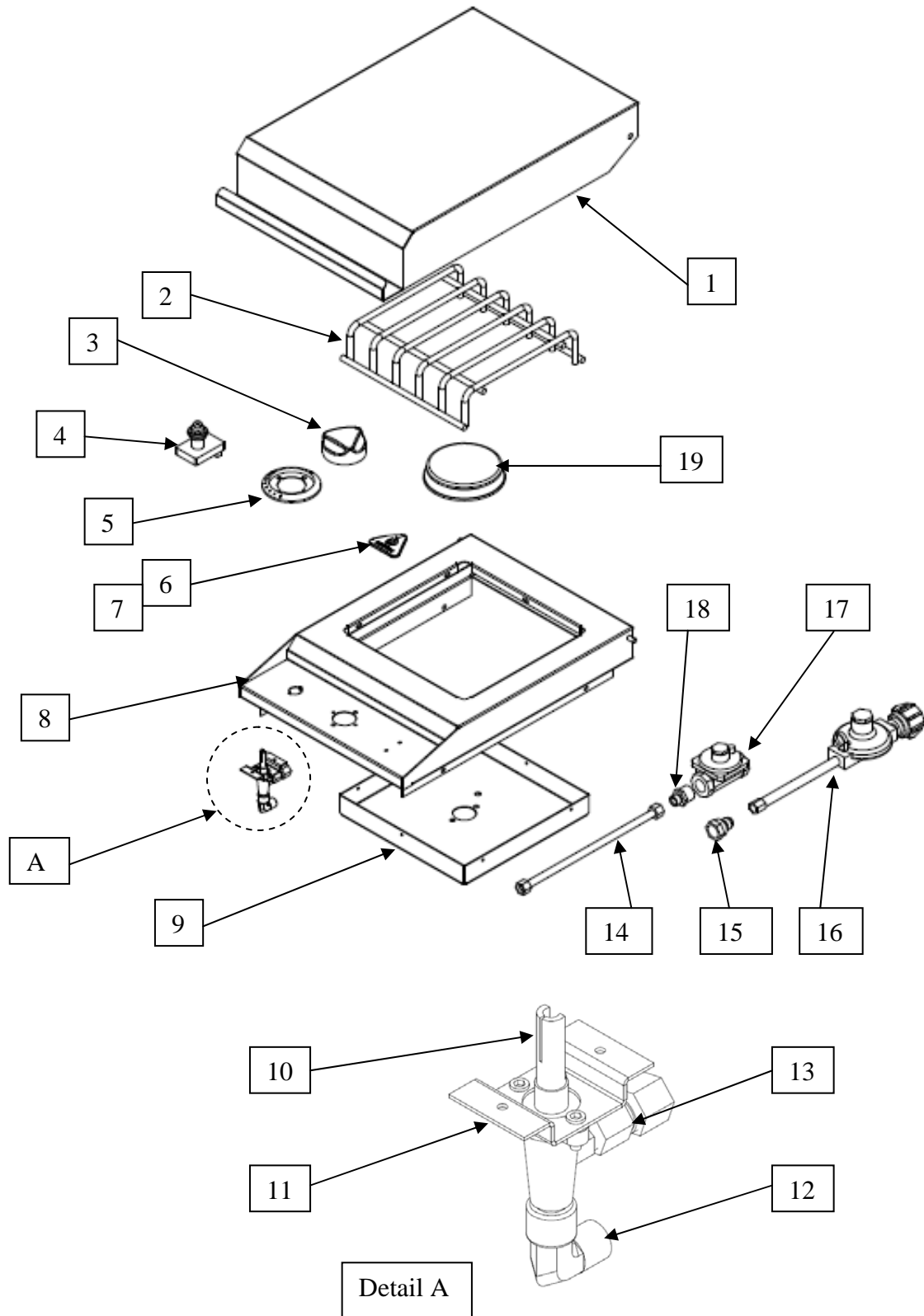


DHSB2-B

CABINET CUT-OUT DIMENSIONS FOR BUILT-IN APPLICATION



EXPLODED VIEW – SIDE BURNER DROP-IN (DHSB1D-B)

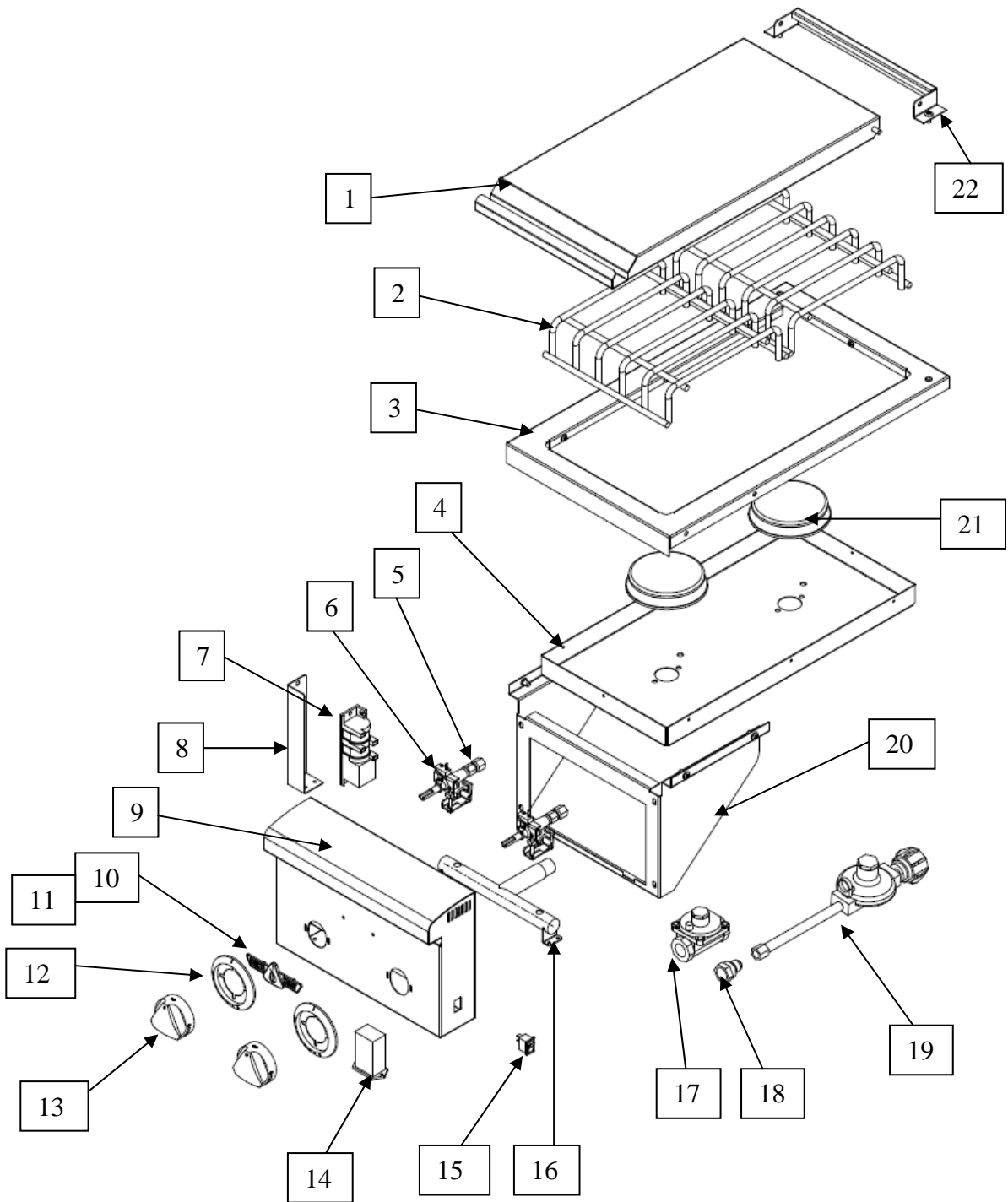


SERVICE PARTS LIST – SIDE BURNER DROP-IN (DHSB1D-B)

| Item No. | Service Part Number | Description | DHSB1D-BL | DHSB1D-BN |
|----------|---------------------|---|-----------|-----------|
| 1 | S21847 | Side Burner Cover | 1 | 1 |
| 2 | S13843 | Side Burner Grate | 1 | 1 |
| 3 | S13162 | Delta Knob | 1 | 1 |
| 4 | S16157 | 2-Spark Ignition Module | 1 | 1 |
| 5 | S13165 | Delta Knob Bezel | 1 | 1 |
| 6 | S13141 | Delta Heat Logo | 1 | 1 |
| 7 | S14160 | Tinnerman Barrel Clip | 2 | 2 |
| 8 | S21846 | Cooktop Body | 1 | 1 |
| 9 | S21841-1 | 1-Burner Burner Holder | 1 | 1 |
| 10 | S15106 | Straight Gas Valve | 1 | 1 |
| 11 | S21855 | Valve Mount | 1 | 1 |
| 12 | S12601 | Brass Elbow, 3/8 CC x 1/8 FIP | 1 | 1 |
| 13 | S12609 | Brass Nut and Sleeve, 1/8 FIP x 5/16 CC | 1 | 1 |
| 14 | S12407 | Stainless Steel Flex Tubing, 3/8 x 7.5" | 1 | 1 |
| 15 | S12602 | Brass Coupling, 3/8 Flare x 1/2 FIP | 1 | |
| 16 | S15302 | LP Regulator | 1 | |
| 17 | S15303 | NG Regulator | | 1 |
| 18 | S12641 | Brass Coupling, 3/8 CC x 1/2 MPT | 1 | 1 |
| 19 | S13336 | Burner Assembly | 1 | 1 |
| * | S13340 | Orifice, NG | | 1 |
| * | S13341 | Orifice, LP | 1 | |

* Not Shown

EXPLODED VIEW – 2-BURNER SIDE BURNER, BUILT-IN (DHSB2-B)



SERVICE PARTS LIST 2-BURNER SIDE BURNER, BUILT-IN (DHSB2-B)

| Item No. | Service Part Number | Description | DHSB2-BL | DHSB2-BN |
|----------|---------------------|---|----------|----------|
| 1 | S21844 | Side Burner Cover | 1 | 1 |
| 2 | S13843 | Side Burner Grate | 2 | 2 |
| 3 | S21842-2 | 2-Burner Cooktop | 1 | 1 |
| 4 | S21841-2 | 2-Burner Burner Holder | 1 | 1 |
| 5 | S12609 | Brass Nut and Sleeve, 1/8 FIP x 5/16 CC | 2 | 2 |
| 6 | S15106 | Straight Gas Valve | 2 | 2 |
| 7 | S16317 | 2-Spark Ignition Module | 1 | 1 |
| 8 | S23216 | Ignition Module Bracket | 1 | 1 |
| 9 | S23202-12 | Front Panel, 2-Burner | 1 | 1 |
| 10 | S13141 | Delta Heat Logo | 1 | 1 |
| 11 | S14160 | Tinnerman Barrel Clip | 2 | 2 |
| 12 | S13165 | Delta Knob Bezel | 2 | 2 |
| 13 | S13162 | Delta Knob | 2 | 2 |
| 14 | S16272 | Battery Pack | 1 | 1 |
| 15 | S13131 | Rocker Switch | 1 | 1 |
| 16 | S12754 | Manifold | 1 | 1 |
| 17 | S15303 | NG Regulator | | 1 |
| 18 | S12602 | Brass Coupling, 3/8 Flare x 1/2 FIP | 1 | |
| 19 | S15302 | LP Regulator | 1 | |
| 20 | S21845 | Stiffener | 1 | 1 |
| 21 | S13336 | Burner Assembly | 2 | 2 |
| 22 | S21849 | Side Burner Cover Brace | 1 | 1 |
| | | | | |
| | | | | |
| * | S16318 | Red LED | 2 | 2 |
| * | S16337Y | Wire Harness Assembly | 1 | 1 |
| * | S16260 | 72" extension, built-in | 1 | 1 |
| * | S13340 | Orifice, NG | | 2 |
| * | S13341 | Orifice, LP | 2 | |

* Not Shown



DELTA HEAT WARRANTY

ONE-YEAR FULL WARRANTY: Delta Heat warrants the outdoor **Side Burners** and all of their component parts, to be free from defects in materials and workmanship under normal residential use for a period of one year from the original date of purchase. The actual part will be repaired or replaced, free of charge, with the owner paying for all other costs including labor, installation, shipping and handling charges.

NINETY (90) DAY RESIDENTIAL PLUS WARRANTY: This warranty applies to applications where use of the product extends beyond normal residential use such as bed and breakfast inn, private clubs, multi-dwelling condos and apartments. The actual part will be repaired or replaced, free of charge, with the owner paying for all other costs including labor, installation, shipping and handling charges. This warranty excludes all commercial locations such as restaurants and food service locations.

WARRANTY LIMITATIONS & EXCLUSIONS

This warranty shall apply only to the products purchased and located in the continental United States and Canada. The warranty coverage begins on the original date of purchase and proof of date of purchase is required. In order to activate the warranty, we require that you send in the attached warranty registration card or register on-line at our website, www.deltaheat.com. This warranty applies only to the original owner and may not be transferred.

This warranty does not apply to damages resulting from negligence, alteration, misuse, abuse, accident, natural disaster, loss of electrical power to the product for any reason, improper installation or improper operation, unauthorized adjustments or calibrations, dings, dents, scratches, or damages due to harsh cleaning chemicals. This warranty does not apply to rust, corrosion, discoloration, surface scratches, weather and atmospheric related staining and oxidation which are normal conditions and to be expected with any outdoor products unless the affected component becomes inoperable. This warranty does not apply to commercial use, or to products with altered or removed serial numbers. Delta Heat shall not be liable for incidental, consequential, special or contingent damages resulting from its breach of this written warranty or any implied warranty.

WARRANTY SERVICE & REPLACEMENT PARTS: Call your authorized selling dealer or call Delta Heat directly at **800-422-0091**. Be prepared to furnish the following information: Purchaser's name, model and serial number of the appliance, date of purchase and the accurate description of the problem. Delta Heat will not pay for service calls for correcting an installation problem. Owner shall be responsible for proper installation, providing normal care and maintenance, providing proof of purchase upon request and making the appliance accessible for service. In the event of any warranty replacement, all removal, replacement, installation and shipping costs are the responsibility of the grill owner.

Some states do not allow limitations on how long an implied warranty lasts, or the exclusions of or limitations on consequential damages. This warranty gives you specific legal rights and you may have other rights, which vary from state to state.

HOW TO OBTAIN SERVICE

For service, please contact your DELTA HEAT dealer or call DELTA HEAT direct at (800) 422-0091 or fax (562) 802-3391

Mailing address:
DELTA HEAT, Inc.
13231 166th Street
Cerritos, CA 90703

Visit us at www.deltaheat.com

Please provide:

- Model number
- Serial Number
- Date of installation
- A description of the problem

Cut
Here



Warranty Registration

| | |
|---------------|------------------|
| Customer Name | Model # |
| Address | Serial # |
| City | Date Purchased |
| Zip | Dealer's Name |
| Phone # | Dealer's Address |
| e-mail: | |

This Warranty Registration card must be returned within thirty days of purchased to properly activate your warranty. This information is for our internal use only.

Or you may register online at <http://www.deltaheat.com>

Cut
Here



Place
Postage
Here

Customer Service
ATTN: Warranty Department
13231 166th Street
Cerritos, CA 90703